



IEC PERFORMANCE DATA SHEET
IEC Efficiency Level IE1

Catalog #: IJA562-4-24

HP	kW	Voltage	L.R. Amps	Efficiency	Power Factor	Service Factor	Frame	Design
0,13	0,09	230 / 460	2,02	54,0%	0,64	1,15	56	N

60 Hz								
FLA							Is/In	F.L. RPM
208	230	333	460	575	796	990		
/	0,69	/	0,34	/	/	/	5,93	1590

50 Hz								
FLA						Efficiency	Is/In	F.L. RPM
190	380	400	415	660	725			
0,80	0,40	0,38	0,37	/	/	56,0%	5,9	1325

Wgt. Lbs	PH	Duty	Insul. Class	Ambient Temp.	Elevation	Temp. Rise° C
7,7	3	S1	H	40°C	1000 M	21,9

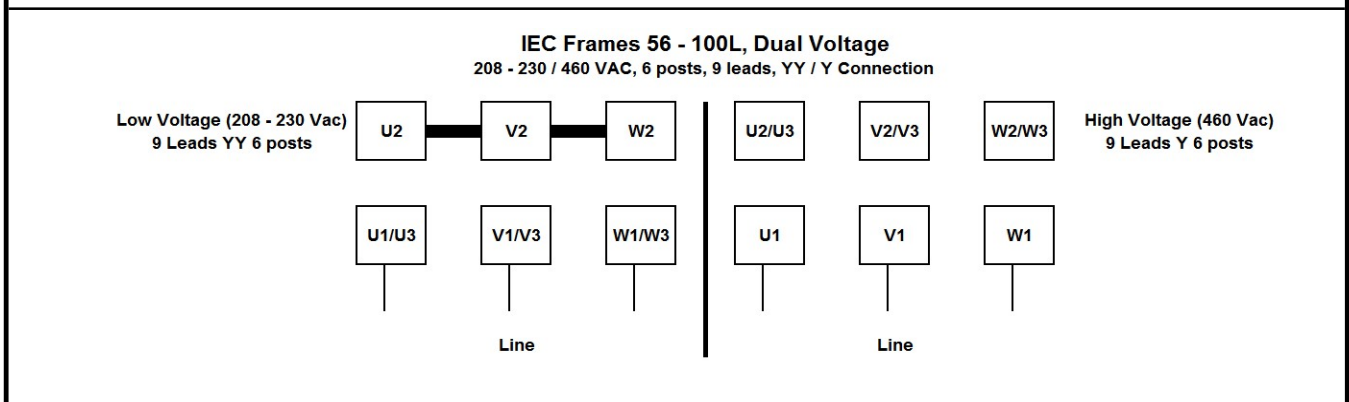
% Efficiency		% Power Factor		Torque			Protector Type	Winding Resist. Ω
Full Load:	54,0%	Full Load:	0,64	FLT ft.lbs	60Hz	50Hz		
3/4 Load:	50,0%	3/4 Load:	0,54	LRT %	204	204	-	286,8
1/2 Load:	48,6%	1/2 Load:	0,42	BDT %	242	242		

Rotor Inertia Wk2 Lb-Ft2	Max Load Inertia Wk2 Lb-Ft2	Shaft Material	Frame Material	DE Bracket Type	ODE Bracket Type	Mounting	Enclosure	Protection
-	-	Standard	Aluminum	Standard	Standard	B3	TEFC	IP55

Ball Bearings		Grease	Mount Type	Orientation	Cold Start (Secs)	Paint
DE	ODE					
6201ZZ-C3	6201ZZ-C3	Sealed Bearings	Rigid	Horizontal	15	Red

Inverter Duty. Motor meets MG1 parts 31.4.4.2	Constant Torque Range	Variable Torque Range
	10:1	20:1

WIRING CONNECTION DIAGRAM : B



Date: **25 janvier, 2024**
 Customer: _____
 Contact: _____
 Submittee: **J.C. Lavallée**

Catalogue #: **IJA562-4-24**

IEC Efficiency Level IE1											
HP	Kw	VAC	RPM	Enclosure	Frame	Frequency	Design	Poles	LR Is/In	Insulation Class	Temp. Rise °C
0,13	0,09	230 / 460	1590	TEFC	56	60	N	4	5,93	H	21,9

Load %	0%	25%	50%	75%	100%	125%	150%
Amps	0,27	0,27	0,30	0,31	0,34	0,39	0,50
Torq ft/lbs	0	0,09	0,19	0,30	0,41	0,54	0,69
RPM	0	1748	1695	1643	1590	1525	1425
Eff %	0	36,4	48,6	50,0	54,0	52,6	48,3
PF %	0	29,2	42,0	54,0	64,0	65,9	67,2

	Locked Rotor	Pull-Up	Breakdown	Rated Load	Idle	Duty	S. F.	Ambient	Elevation	dBA @ 1M
Speed (RPM)	0	810	1350	1590	1800	S1	1,15	40°C	3,300 ft	-
Current (Amps)	2,02	1,61	1,13	0,34	0,27	VFD Rating: Meets MG1 parts 31.4.4.2				
Torque (ft-lbs)	0,84	0,72	1,00	0,41	0,0	CT :	10:1	VT :	20:1	

